

Talo Chair

12790 The Stella chair has a modern and contemporary look, thanks to its taut lines and pure design. By eliminating unnecessary shapes, a contemporary and sleek design is achieved that appeals to a wide audience. This upholstered chair can be stacked very easily and is

Support

- Solid beech support.
- Square legs with a conical design.
- All parts are firmly connected by means of double cold-glue mortise and tenon joints.
- The ends of the back legs stick out a little further than the backrest (to avoid wall damage).
- The chair is stackable.
- No visible fastening elements.
- The legs are equipped with synthetic glides.

Seat

- Upholstered with fire-retardant foam.
- The opening between the seat and backrest makes it easier to clean to chair.
- Ergonomic seat design.
- Pre-shaped synthetic seat:
advantages:
 - hygienic (maintenance)
 - light weight
 - stronger frame
 - visual and rigid seat with excellent comfort, thanks to the foam layer of ± 6 cm.
- The seat can be disassembled easily, so that new upholstery is possible.

Backrest

- Upholstered with fire-retardant foam.
- Ergonomic backrest design.
- The top of the backrest protects the upholstery.
- The backrest can be disassembled easily, so that new upholstery is possible.

Armrests (for model with armrests)

- Solid beech armrests.
- The legs and armrests constitute one unit.
- The ergonomic design of the armrests makes it easier to get up or sit down.

Colours

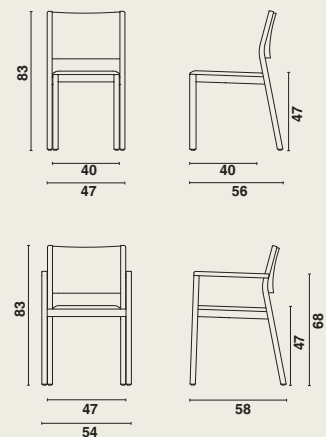
We would like to refer to our extensive colour gamut.
Sample card + samples available on request.



Dimensions

Talo chair | 47 x 56 x H 83 cm

Talo armchair | 54 x 58 x H 83 cm



Materials and finishing

- Wood: beech (massif).
- Synthetic material: High Impact Polystyrene (HIPS)
- Fire-retardant foam.
- Upholstery: see collection.
- Withstands the common cleaning products and disinfectants

For further information about the **used materials**, **construction** and **maintenance**: please consult our material files.

